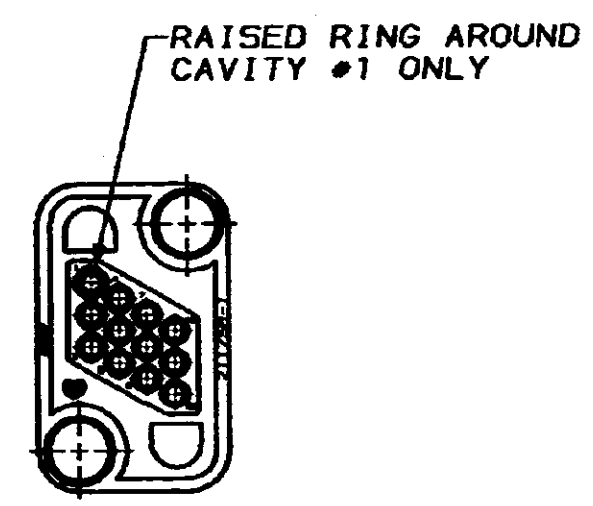
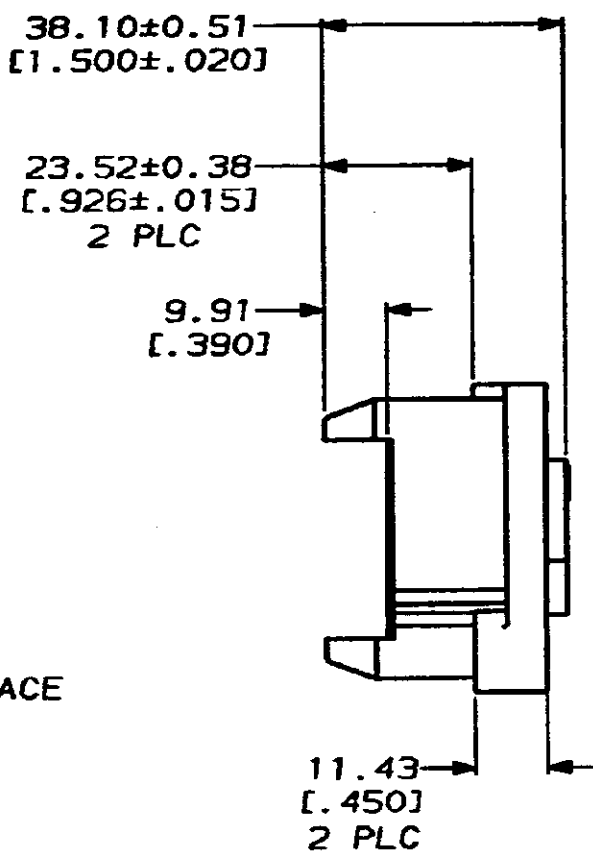
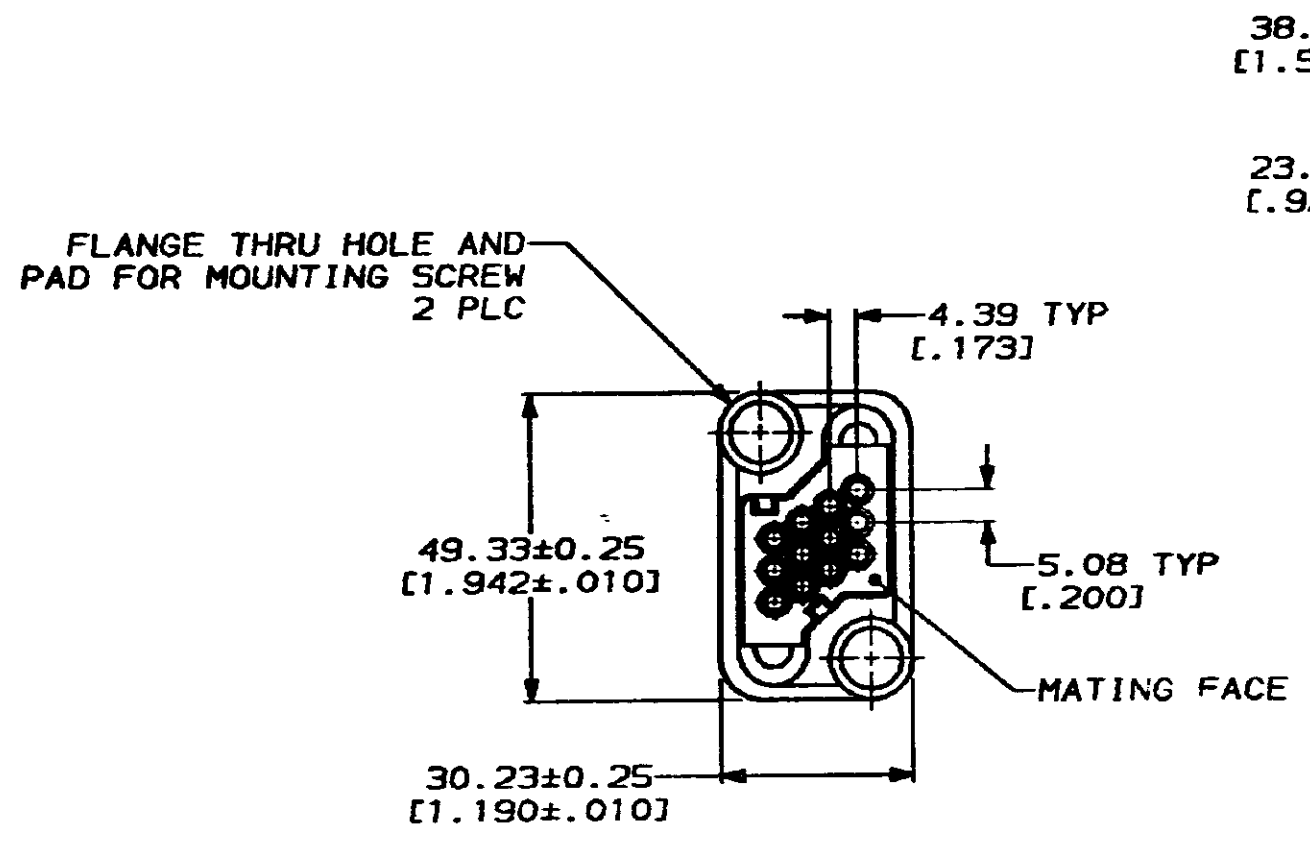
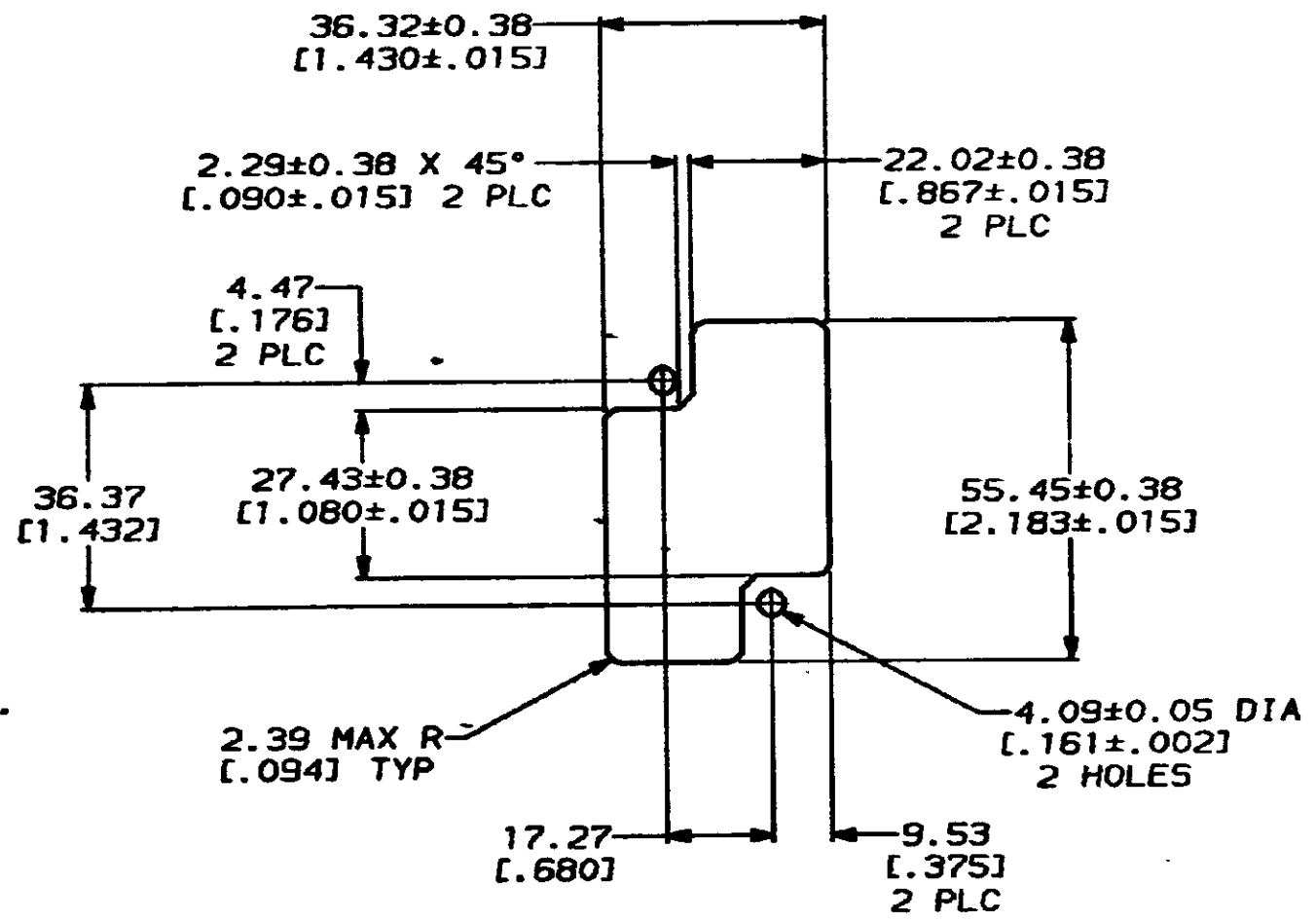


THIS DRAWING IS UNPUBLISHED. RELEASED FOR PUBLICATION .19
 © COPYRIGHT 19 BY AMP INCORPORATED. ALL INTERNATIONAL RIGHTS RESERVED.

REVISE		DATE	APPD
1	BD 37	07/15/92	-
DESCRIPTION			
F REDRAWN WITHOUT CHANGE			



- 211758 MATES WITH 211759.
- MOUNTING SCREW INFORMATION SEE 208211.



SUGGESTED PANEL CUTOUT

THIS DRAWING IS A CONTROLLED DOCUMENT FOR AMP INCORPORATED. IT IS SUBJECT TO CHANGE AND THE CONTROLLER'S SIGNATURE AND DATE SHOULD BE CONTAINED FOR THE LATEST REVISION.

DO NOT SCALE PRINT. UNLESS SPECIFIED DIMENSIONS IN MM [INCHES] TOLERANCES ON:		DR 07/15/92 D.GELTZ		211758-1	
2 PLC DEC ± 0.13 [.005]		CHK 7-20-92 M.G.LENKER		PART NO	
3 PLC DEC ±		APPD 7-21-92 A.TRAVIS		AMP AMP Incorporated Harrisburg, PA 17106-3600	
ANGLES ±		APPD -		NAME	
MATERIAL THERMOPLASTIC, BLACK		PRODUCT SPEC -		SOCKET HOUSING, 12 POSITION, METRIMATE	
FINISH -		APPLICATION SPEC -		SIZE C	
WEIGHT -		SCALE 1:1		CASE CODE 00779	
				DRAWING NO C-211758	
				SHEET 1 OF 1	

CUSTOMER DRAWING